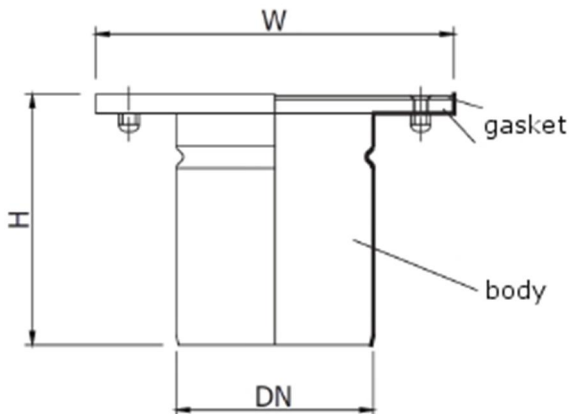




## STAINLESS STEEL ACCESS EYES RODDING EYES



Symbol		RP-150-D110	RP-200-D110	RP-200-D160	RP-250-D160	RP-250-D200	RP-300-D200
Dimensions [mm]	W	150x150	200x200	200x200	250x250	250x250	300x300
	H	150	150	150	150	150	150
	DN	110	110	160	160	200	200

### Advantages:

- Simple construction
- Easy installation
- Good fit with other architectural elements
- High durability
- Isolating from odors